

Trunnion mounted ball valves, reduced bore

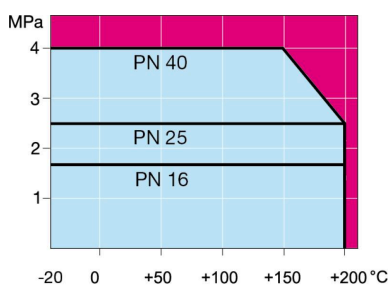
104xx1/TR series, flange / flange, DN 200-900, reduced bore

Body	DN 200-450 Steel, P355QH (1.0571) / P355NL1 (1.0566) DN 500-900 Steel, P355QH (1.0571) / P355NH (1.0565)
Ball	DN 200-900 Steel + stainless plating, ASTM A350 LF2 +Ni
Ball seal	DN 200-900 PTFE+C
Stem	DN 200-900 Stainless steel, X17CrNi16-2 (1.4057)
Stem seal	DN 200-900 FPM
Operation	DN 200-900 Valve is equipped with manual gear
Flanges	EN 1092-1 Available PN 16
Equipment	DN 200-900 are equipped with lifting lugs, mounting stand, drain valve



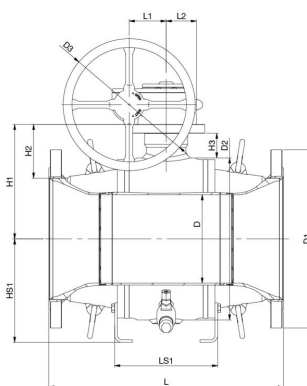
Operation conditions

0 °C – +200 °C
Below 0 °C contact manufacturer
Lowest allowed ambient temperature -20 °C
Leakage rate A (EN 12266-1)

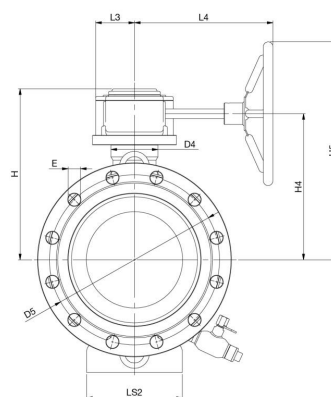


Not for steam

DN 200-900



DN 200-900



DN	PN	Product no.	D	D1	D2	D3	D4	D5	E	H	H1	H2	H3	H4	H5	HS1	L	L1	L2	L3	L4	LS1	LS2	kg
200	16	104201/TR	150	340.0	315.0	300.0	98.0	295.0	22	331	234	124	57	279	429	200	457	84	69	81	289	229	160	171.0
250	16	104251/TR	201	405.0	368.0	300.0	98.0	355.0	26	357	260	122	56	305	455	235	533	84	69	81	289	234	200	231.0
300	16	104301/TR	250	460.0	440.0	500.0	110.0	410.0	26	420	302	139	62	351	601	282	610	118	108	125	363	250	200	348.0
350	16	104351/TR	300	520.0	510.0	500.0	110.0	470.0	26	455	337	158	62	286	636	314	686	118	108	125	363	290	200	499.0
400	16	104401/TR	340	580.0	590.0	500.0	135.0	525.0	30	528	400	195	80	455	705	360	762	138	133	150	440	348	260	766.0
450	16	104451/TR	385	640.0	640.0	500.0	135.0	525.0	30	553	425	197	80	480	730	390	864	138	133	150	440	362	260	956.0
500	16	104501/TR	436	715.0	740.0	500.0	180.0	650.0	33	625	490	225	86	554	804	530	914	180	167	188	471	456	400	1133.0
600	16	104601/TR	487	840.0	822.0	500.0	200.0	770.0	36	672	537	222	88	601	851	580	1065	180	167	188	471	472	420	1583.0
700	16	104701/TR	589	910.0	980.0	700.0	200.0	840.0	36	805	616	235	88	701	1051	660	1245	253	222	255	593	524	450	2689.0
800	16	104801/TR	684	1025.0	1125.0	700.0	230.0	950.0	39	910	722	302	111	807	1157	700	1372	253	222	255	593	572	450	3706.0
900	16	104901/TR	779	1125.0	1290.0	700.0	270.0	1050.0	39	1021	833	358	138	918	1268	840	1524	253	222	255	593	700	600	5395.0

Also available in PN 40. For more information contact our customer service.
Sizes DN 500-900 manufactured by ARMATURY Group a.s. - a member of Vexve Armatury Group.

