

2 Piece Stainless Steel Ball Valve

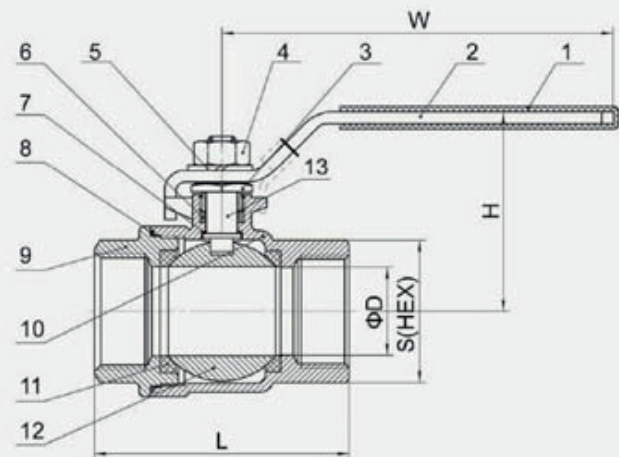
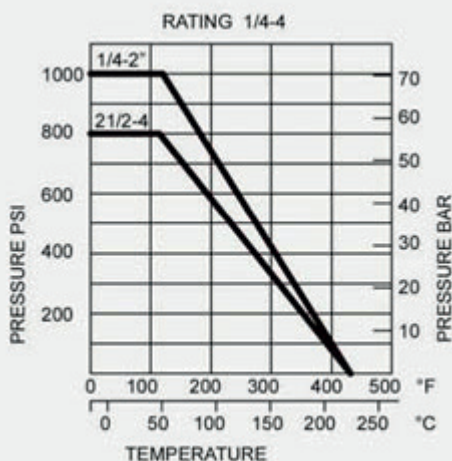


Overview

Material:	CF8M Stainless Steel
Type:	2 Piece Floating Ball
Connections:	BSPP DIN-EN-ISO 228-1
Working Temp:	-10°C to 180°C

Features

1000PSI/PN63	Full port
Investment casting	Blow-out proof stem
Casting approved AD2000-W0	CE0036 Approved
Testing: API598, EN12266	Locking handle



Material List

Item	Designation	Qty	Material
1	HANDLE SLEEVE	1	PVC
2	HANDLE	1	304
3	STEM NUT	1	304
4	GLAND NUT	1	304
5	STEM NUT	1	304
6	SPRING WASHER	1	304
7	STEM PACKING	1	PTFE
8	THRUST WASHER	1	PTFE
9	CAP	1	CF8M
10	BODY	1	CF8M
11	BALL SEAT	2	RPTFE
12	BALL	1	CF8M
13	STEM	1	316

Dimensions (mm)

SIZE	D	L	H	W	S
1/4"	11.6	48.5	48	91	19
3/8"	12.5	48.5	48	91	21
1/2"	15	58	52	91	25.5
3/4"	20	65	61	111	21
1"	25	77	65	111	37.5
1" 1/4	32	90	79	154	46.5
1" 1/2	38	98	83	154	53.5
2"	50	121	97	192	66
2" 1/2	64	145	129	246	82.5
3"	76	166	138	246	97.5
4"	94	240	175	317	130