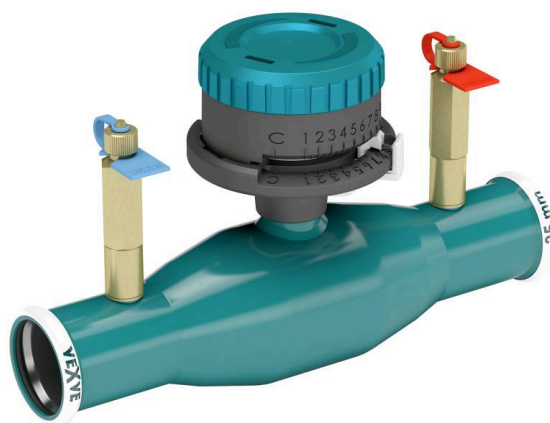


X-balancing valves, steel, reduced bore

press fit / press fit, EN (DIN), DN 15-50 (18-54 mm), reduced bore

Body	DN 15-50 Steel, P235GH (1.0345)
Ball	DN 15-50 Stainless steel, X5CrNi18-10 (1.4301), Flowtube Composite
Ball seal	DN 15-50 PTFE+GF
Stem	DN 15-50 Stainless steel, X8CrNiS18-9 (1.4305)
Stem seal	DN 15-50 FPM
Measuring block	DN 15-50 Self-sealing, brass
Operation	DN 15-50 with precision control knob
Press fit connection's O-ring (LBP)	DN 15-50 CIIR

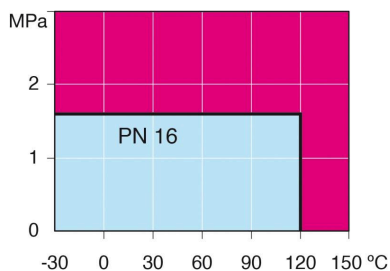


Operation conditions

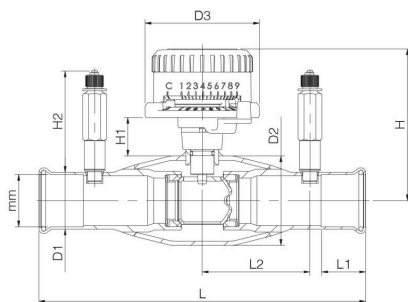
-30 ° – +120 °C

Below 0 °C contact manufacturer

Over +120 °C contact manufacturer



DN 15-50



Not for steam

DN	PN	Product no. Vexve	mm	D1	D2	D3	H	H1	H2	L	L1	L2	kg
15	16	148015X	18	21.3	33.7	77.0	91	28	72	220	25	73	0.9
20	16	148020X	22	25.4	42.4	77.0	95	28	72	220	25	73	1.0
25	16	148025X	28	31.4	48.3	77.0	99	29	72	220	25	73	1.2
32	16	148032X	35	35.2	60.3	77.0	102	26	72	220	30	73	1.5
40	16	148040X	42	45.5	70.0	77.0	110	29	72	220	30	73	1.8
50	16	148050X	54	58.0	88.9	77.0	119	28	72	220	30	73	2.5