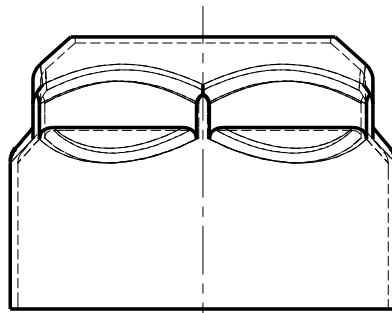
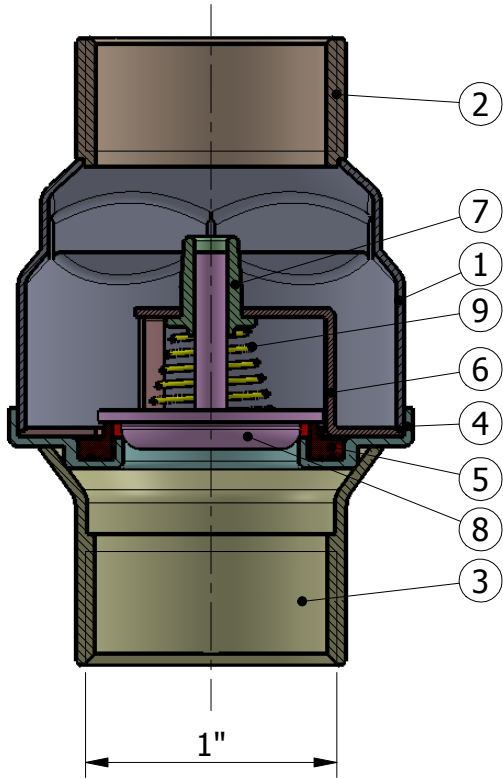
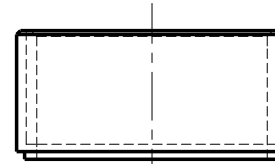


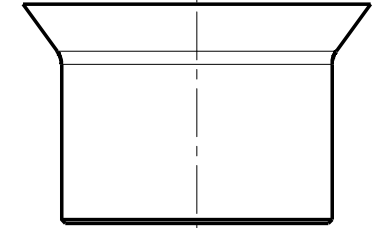
Internal volume 97 cm<sup>3</sup>



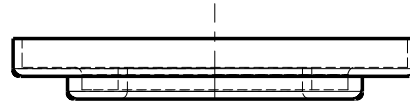
Pos. 1 valve body ,  
surface : 59.3 cm<sup>2</sup> ,  
material Aisi 304/316



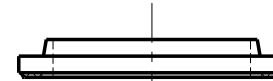
Pos. 2 outlet end ,  
surface : 20 cm<sup>2</sup> ,  
material Aisi 304/316



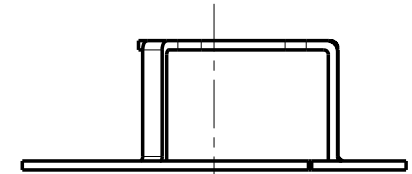
Pos. 3 inlet end ,  
surface : 36.2 cm<sup>2</sup> ,  
material Aisi 304/316



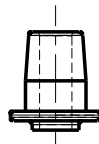
Pos. 4 seal ring housing ,  
surface : 30.5 cm<sup>2</sup> ,  
material Aisi 304/316



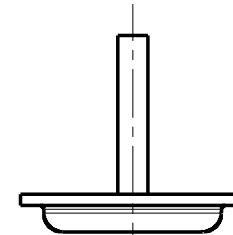
Pos. 5 seal ring ,  
surface : 18 cm<sup>2</sup> ,  
material EPDM/FPM



Pos. 6 flow control disk guide ,  
surface : 40.4 cm<sup>2</sup> ,  
material AISI 304/316



Pos. 7 guide bush ,  
surface : 6.6 cm<sup>2</sup> ,  
material PTFE



Pos. 8 flow control disk ,  
surface : 21.4 cm<sup>2</sup> ,  
material Aisi 316



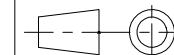
Pos. 9 spring ,  
surface : 6.4 cm<sup>2</sup> ,  
material Aisi 316

SCALA SCALE	1:1						MATERIALE / MATERIAL	DISEGN. DRAW	ZANNI	DATA DATE	04/02/19
TOLLERANZE GENERALI GENERAL TOLERANCES		fino a 3	> 3 a 6	> 6 a 30	> 30 a 120	> 120 a 400	> 400 a 1000			DATA DATE	
	PLASTICA PLASTIC	±0.15	±0.17	±0.25	±0.4	±1	±2.5				
	METALLO METAL	±0.05	±0.05	±0.1	±0.15	±0.2	±0.3	TRATT. TERMICO E/O SUPERF. HEAT/SUPERFICIAL TREATMENT	SOSTITUISCE IL/SUBSTITUTES		
	METALLO METAL	±0.1	±0.1	±0.2	±0.3	±0.5	±0.8		SOSTITUITO DA/SUBSTITUTED BY		
METALLO METAL	±0.2	±0.3	±0.5	±0.8	±1.2	±2		Referred to law terms, MONDEO SRL reserves the ownership on this drawing and prohibits to reproduce or communicate it without authorization			



DESCRIZIONE / DESCRIPTION  
**IDRJA CHECK VALVE 1"**

DIMENSIONI IN mm  
DIMENSIONS IN mm



CODICE /  
CODE

DISEGNO /  
DRAWING