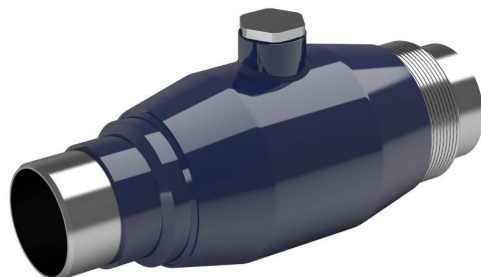


Special purpose ball valves

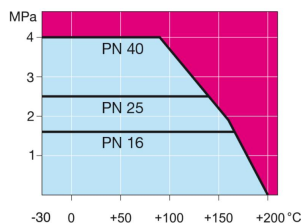
welding/welding, EN (DIN), DN 20-150, Hot tapping valve

Body: Steel, P235GH (1.0345)
 Ball: Stainless steel, X5CrNi18-10 (1.4301)
 Stem: Stainless steel, X8CrNiS18-9 (1.4305)
 Stem seals: FPM
 Ball seals: PTFE+C

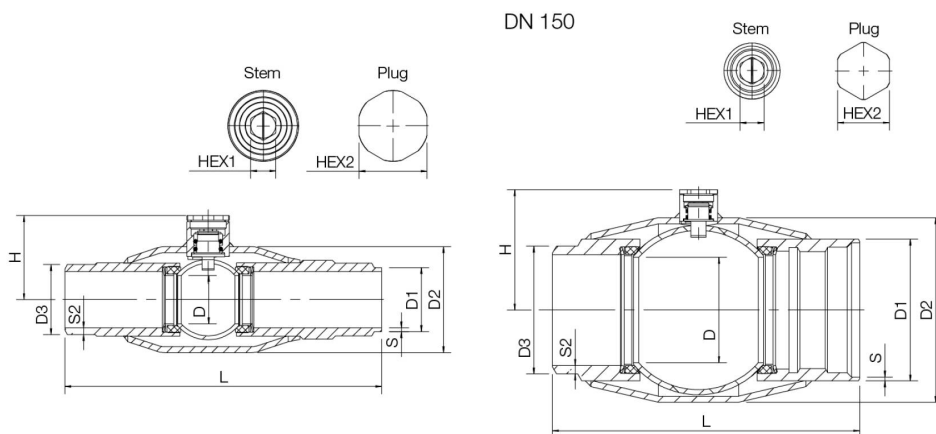


Operating conditions

-30°C - +200°C
 Below 0 °C contact manufacturer



Not for steam



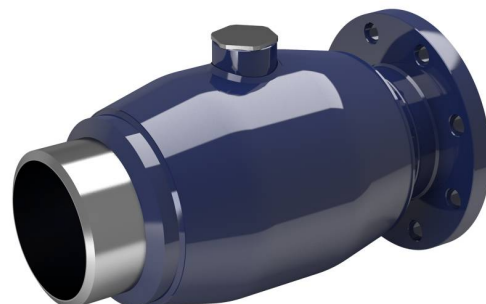
Product no. Vexve	DN	PN	D	D1	D2	D3	H	L	S	S2	HEX1	HEX2	kg
126020	20	40	20	26.9	48.3	33.7	42	170	2.3	5.8	9	22	1.1
126025	25	40	25	33.7	60.3	36.5	46	209	2.6	4.3	9	22	1.5
126032	32	40	32	42.2	70	46.2	55	209	2.6	4.5	10	27	2
126040	40	40	40	48.3	88.9	52.1	63	228	2.6	4.5	10	27	2.7
126050	50	40	50	60.3	101.6	64.5	74	260	2.6	5	15	32	4.5
126065	65	25	65	76.1	121	76.1	88	280	2.9	5	15	32	5.5
126080	80	25	80	88.9	146	94.5	102	312	3.2	6	15	36	10.1
126100	100	25	100	114	177.8	122.1	123	349	3.5	7.5	19	41	18
126125	125	25	125	139.7	219.1	151.7	143	363	5.6	10	19	41	29.9
126150	150	25	125	168.3	219.1	151.7	143	365	4.5	10	19	41	29.9

Note! DN 150 with reduced bore

Special purpose ball valves

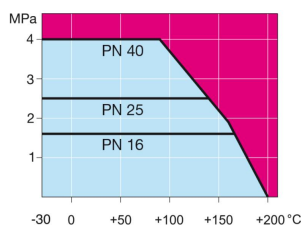
flange/welding, EN (DIN), DN 150-200, Hot tapping valve

Body: Steel, P235GH (1.0345)
 Ball: Stainless steel, X5CrNi18-10 (1.4301)
 Stem: Stainless steel, X8CrNiS18-9 (1.4305)
 Stem seals: FPM
 Ball seals: PTFE+C

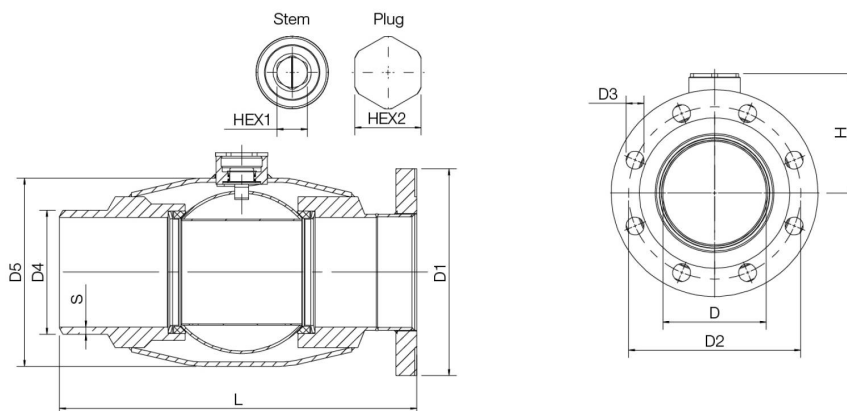


Operating conditions

-30°C - +200°C
 Below 0 °C contact manufacturer



Not for steam



Product no. Vexve	DN	PN	D	D1	D2	D3	D4	D5	H	L	S	HEX1	HEX2	Holes	kg
126151	150	25	150	300	250	26	180	273	174	520	10	32	70	8	57.5
126201	200	25	150	360	310	26	180	273	173	523	10.3	32	70	12	57

Note! DN 200 with reduced bore