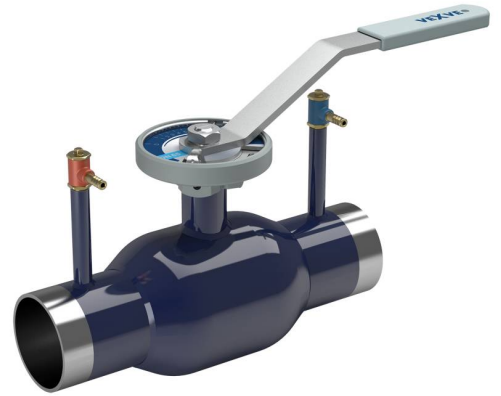


# Balancing valves, steel

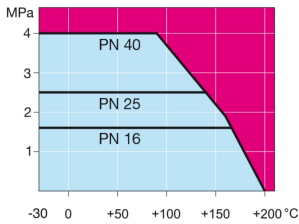
welding/welding, EN (DIN), DN 15-300

Body: Steel, P235GH (1.0345)  
 Ball: Stainless steel, X5CrNi18-10 (1.4301)  
 Stem: Stainless steel, X8CrNiS18-9 (1.4305)  
 Stem seals: FPM  
 Ball seals: PTFE+GF  
 Operation: DN 15–150 with zinc-plated steel handle  
 DN 200–300 with manual gear



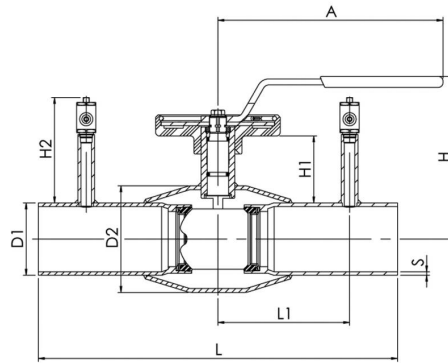
## Operating conditions

-30°C - +200°C  
 Below 0 °C contact manufacturer

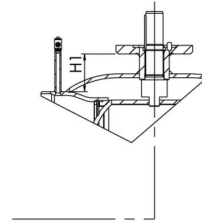


Not for steam

DN 15 - 150



DN 200 - 300



Product no. Vexve	DN	PN	A	D1	D2	H	H1	H2	L	L1	S	kg
140015	15	40	145	21.3	42.4	134	50	93	230	65	2.3	1.3
140020	20	40	145	26.9	42.4	136	53	93	230	65	2.3	1.4
140025	25	40	145	33.7	48.3	142	55	93	230	65	2.6	1.7
140032	32	40	145	42.4	60.3	144	53	93	260	80	2.6	1.8
140040	40	40	188	48.3	70	143	60	93	260	80	2.6	2.6
140050	50	40	188	60.3	88.9	149	60	93	300	100	2.9	3.5
140065	65	25	280	76.1	101.6	160	58	108	300	110	2.9	4.8
140080	80	25	280	88.9	121	173	64	108	300	110	3.2	6.1
140100	100	25	280	114.3	146	219	98	130	325	122.5	3.6	9.4
140125	125	25	400	139.7	177.8	253	100	130	325	137.5	4	16.2
140150	150	25	600	168.3	219.1	276	110	130	350	150	4.5	21.3
140200	200	25		219.1	273		72	128	400	180	4.5	45
140250	250	25		273	355.6		88	128	530	225	5	89
140300	300	25		323.9	457		112	128	550	245	5.6	140

# Balancing valves, steel

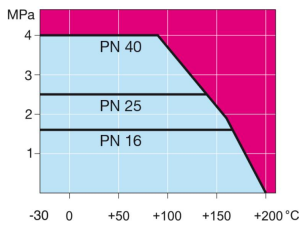
flange/flange, DN 15-300

Body: Steel, P235GH (1.0345)  
 Ball: Stainless steel, X5CrNi18-10 (1.4301)  
 Stem: Stainless steel, X8CrNiS18-9 (1.4305)  
 Stem seals: FPM  
 Ball seals: PTFE+GF  
 Flanges: EN 1092-1  
 Available PN 10, 16, 25, 40  
 Operation: DN 15–150 with zinc-plated steel handle  
 DN 200–300 with manual gear



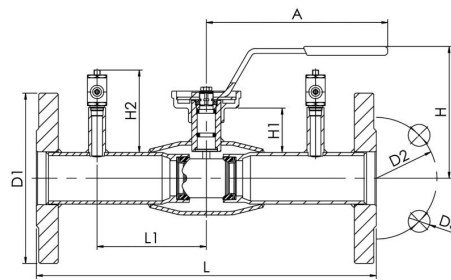
## Operating conditions

-30°C - +200°C  
 Below 0 °C contact manufacturer

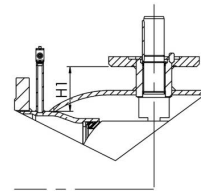


Not for steam

DN 15 - 150



DN 200 - 300



Product no. Vexve	DN	PN	A	D1	D2	D3	H	H1	H2	L	L1	Holes	kg
143015	15	40	145	95	65	14	134	50	93	250	65	4	2.5
143020	20	40	145	105	75	14	136	53	93	250	65	4	3
143025	25	40	145	115	85	14	142	55	93	240	65	4	3.7
143032	32	40	145	140	100	18	144	53	93	280	80	4	5.1
143040	40	40	188	150	110	18	143	60	93	270	80	4	6.2
143050	50	40	188	165	125	18	149	60	93	310	100	4	8.4
143065	65	16	280	185	145	18	160	58	108	310	110	8	10.5
143080	80	16	280	200	160	18	173	64	108	310	110	8	12.6
143100	100	16	280	220	180	18	219	98	132	350	122.5	8	17.5
143125	125	16	400	250	210	18	253	100	130	360	137.5	8	26.1
143150	150	16	600	285	240	22	276	110	131	390	150	8	34.6
143200	200	16		340	295	22		72	128	425	172	12	60
143250	250	16		405	355	26		88	128	550	225	12	114
143300	300	16		460	410	26		112	98.9	580	272	12	168