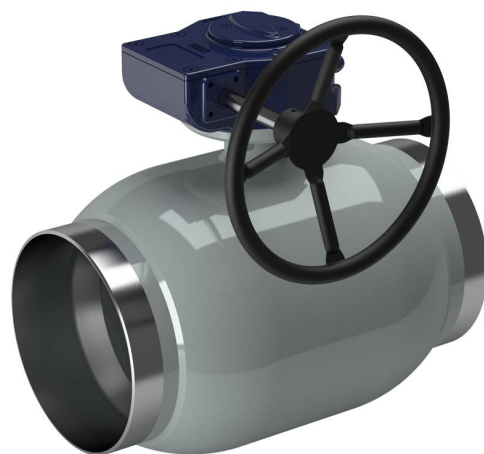


Stainless steel ball valves, reduced bore with gears and actuators

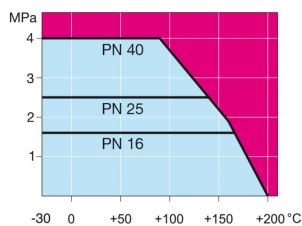
welding/welding, EN (DIN), DN 100-250, with manual gear

Body: Stainless steel, X2CrNiMo17-12-2 (1.4404)
 Ball: Stainless steel, X2CrNiMo17-12-2 (1.4404)
 Stem: Stainless steel, X2CrNiMo17-12-2 (1.4404)
 Stem seals: FPM/NBR
 Ball seals: PTFE+C
 Operation: Valve is equipped with manual gear.
 For type and features of manual gear please refer to:
www.vexve.com/en/actuators.

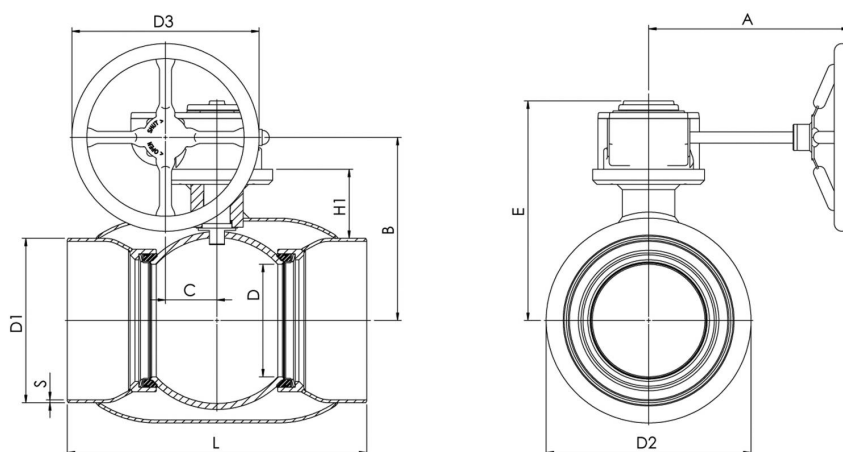


Operating conditions

-30 °C - +200 °C
 Below -10 °C contact manufacturer



Not for steam



Product no. Vexve	DN	PN	A	B	C	D	D1	D2	D3	E	H1	L	Holes	kg
234100	100	25	187	159	53	80	114.3	156	125	202	68	325	3	13
234125	125	25	224	183	53	100	139.7	178	200	225	79	325	4	20
234150	150	25	224	203	53	125	168.3	219.1	200	246	85	350	4	23
234200	200	25	268	244	69	150	219.1	273	250	293	92	400	4	40
234250	250	25	301	294	97	200	273	355.6	300	345	108	530	4	77

Stainless steel ball valves, reduced bore with gears and actuators

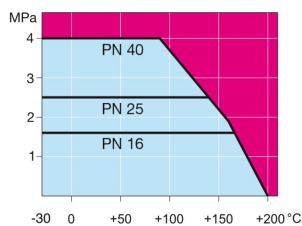
flange/flange, DN 100-250, with manual gear

Body: Stainless steel, X2CrNiMo17-12-2 (1.4404)
 Ball: Stainless steel, X2CrNiMo17-12-2 (1.4404)
 Stem: Stainless steel, X2CrNiMo17-12-2 (1.4404)
 Stem seals: FPM/NBR
 Ball seals: PTFE+C
 Flanges: EN 1092-1
 Available PN 10, 16, 25, 40
 Length: EN 558-1 (DIN 3202) DN 15-200
 Operation: Valve is equipped with manual gear.
 For type and features of manual gear please refer to:
www.vexve.com/en/actuators.

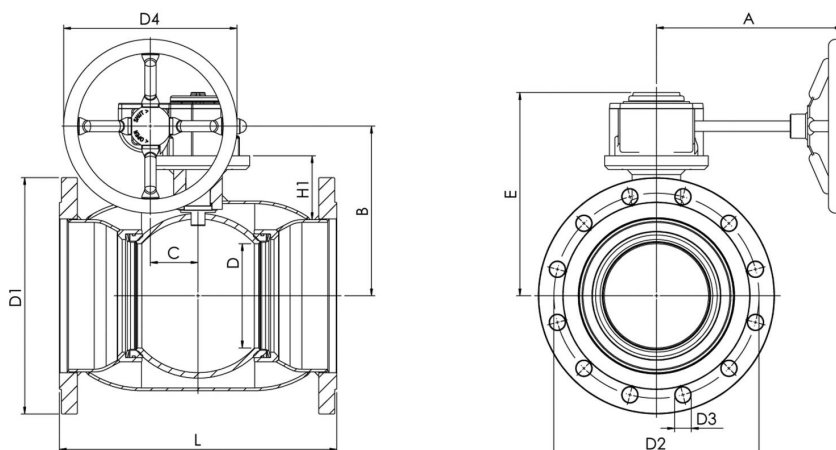


Operating conditions

-30 °C - +200 °C
 Below -10 °C contact manufacturer



Not for steam



Product no. Vexve	DN	PN	A	B	C	D	D1	D2	D3	D4	E	H1	L	Holes	kg
234101	100	16	187	159	53	80	220	180	18	125	202	68	300	8	21
234126	125	16	224	183	53	100	250	210	18	200	225	79	325	8	29
234151	150	16	224	203	53	125	285	240	22	200	246	85	350	8	34
234201	200	16	268	244	69	150	340	295	22	250	293	92	400	12	57
234251	250	16	301	294	97	200	405	355	26	300	345	108	550	12	105