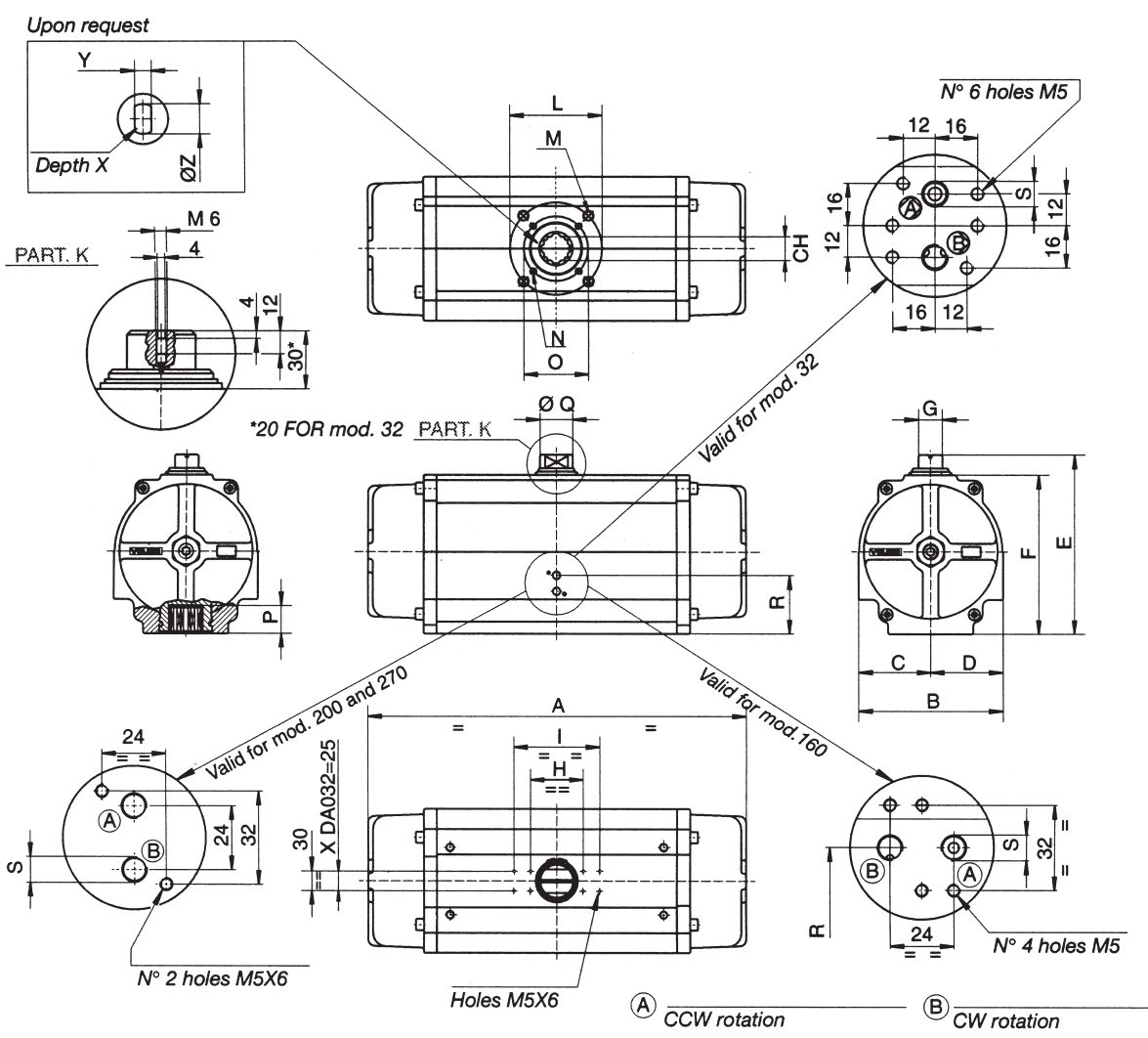
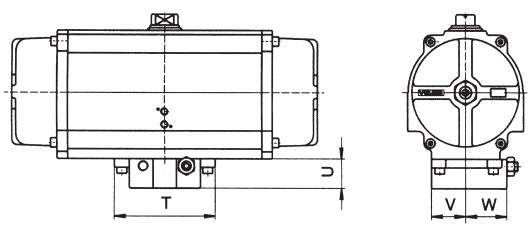


Valbia Pneumatic Actuators - Sizes 32 and 160 to 270



Actuators with closed position adjustment optional Model 160 - 200 - 270



Dimensions (mm)

Mounting		Model	ISO 5211	CH	A	B	C	D	E	F	G	H	I	L	M	N	O	P	fiQ	R	S	T	U	V	W	fiZ	Y	Z
32	F03	9	110	45	22.5	22.5	65	45	10	50	-	36	M5X7.5	-	-	12	11.8	1/8	-	-	-	-	-	-	-	12.1	9	16
160	F10-F12	27	522	187	87	100	218	188	30	80	130	125	M12X8	M10X15	102	32	35	81.5	1/4	160	45	56	63.5	36.2	27	48		
200	F14	36	575	218	109	109	269	239	36	80	130	140	M16X25	-	-	39	50	88	1/4	190	51.5	64	79	48.2	36	64		
270	F16	46**	672	290	145	145	361	331	36	80	130	165	M20X30	-	-	52	50	121	1/4	230	68	79	111	60.2	46	82		

\*\*Only with square connection at 45°